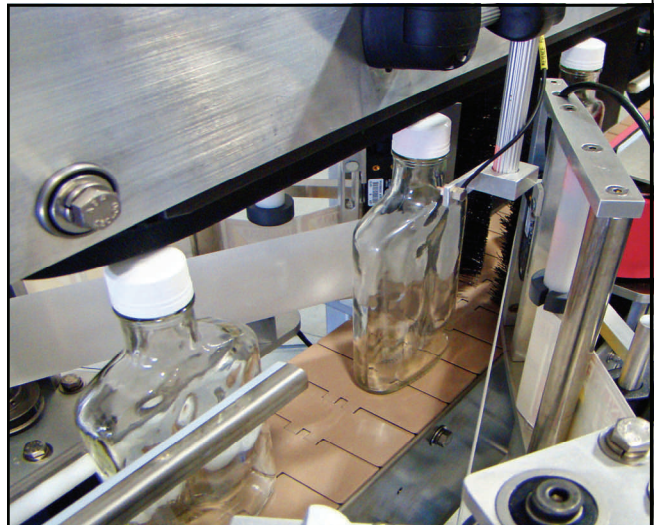




700NR Pressure Sensitive Labeler

The model 700NR is a fully automatic labeler especially designed to be an easy machine to operate. It comes with a self-teaching label gap sensor that makes set up uncomplicated and trouble-free. Our new pinch grip design simplifies the way the web is threaded through the machine. Even though the 700NR Labeler is simple in its operation, the label application is still excellent. The machine has a high rate of consistency to 1/32" and a top speed of 1200 ipm. It is designed for non-round containers from 1" to 5" in thickness and for labels from 1" to 4 1/2" tall and from 1" to 12" in length. Standard features on the model 700NR include the top hold-down belt, aligning belts for infeed, an ultra-fast PLC and accurate stepper-driven labeling applicators. Options such as label coding, extra tall label application, and a wrap belt for round containers make the 700NR versatile as well as easy to operate, with easy and quick changeovers and up to 99 saved recipes.



IN-LINE

Labeling Equipment, Inc.

Features

- Label 1" to 5" non-round containers.
- Apply labels from 1" to 4 ½" tall and 12" long.
- Label can be moved up to 6" from base of container. 4 axes of adjustments.
- Accepts random or continuous bottle feed.
- Changeovers require no tools and take less than 10 minutes.
- Touchscreen Interface.
- Speeds to 100 bpm depending on label length.
- All variable speed conveyor, wrap station, top belt, and label speeds.
- High-speed counting on all delays.
- Maximum label roll size of 12".

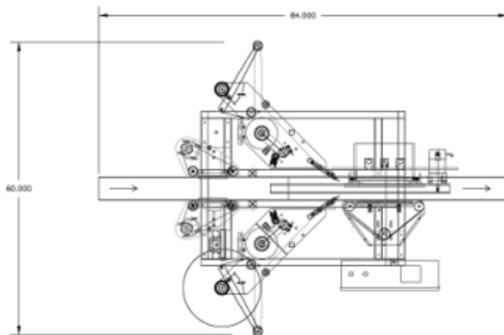


Options

- Hot Stamp coding for lot/date information.
- Wrap Belt for round containers
- Extra Tall Label Kit for labels up to 7 ½" tall.
- Infeed Spacing Wheel powered by a separate DC motor.
- "Gallon" upgrade for containers up to 6½".
- Locking Casters

Specifications

Conveyor width:	4 ½"
Conveyor height:	33" Standard (+4" up)
Conveyor length:	84"
Conveyor motor:	1/4 hp DC geared motor
Overall machine width:	60"
Overall machine height:	72"
Overall machine length:	88"
Overall machine weight:	550 pounds
Labeling Head motors:	Stepper-driven
Power requirements:	120 volt AC, 60 cycle, 10 amp power
Compressed air:	3-4 cfm @ 65 psi



PD700NR



7282 Spa Road
North Charleston, SC 29418
Phone: (843)569-2530
Toll Free: (800)465-4630
Fax: (843)569-2531